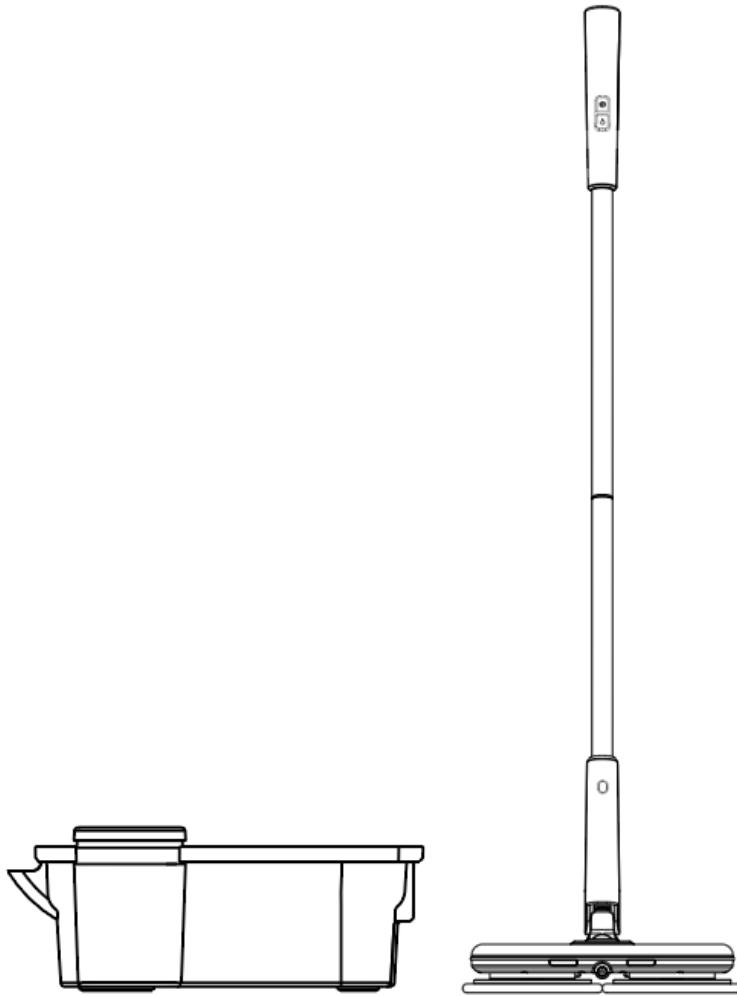




RCM-F51WB

無線電動噴水拖把 Cordless Electric Spray Mop



“僅適用於家庭使用”  
For household use only

## 使用說明書

### OPERATION MANUAL

在使用本產品前，請仔細閱讀此說明書，閱讀後小心收保存，以備日後查閱。

Please read the operation manual carefully before using and well keep it in a safe place for future reference.

本說明書中的圖示可能與實物有不同的地方，僅供參考。

Some figures in this manual may not match with the real object, just for reference only.



非常感謝您選購樂信牌無線電動噴水拖把，在使用前請先詳細閱讀此說明書，並保存以備日後參考。



## 目錄

1. 安全注意事項
2. 清潔及儲存
3. 產品規格
4. 產品結構
5. 配件的組裝與拆除
6. 使用方法
7. 充電方法
8. 故障排除
9. 特別聲明
10. 售後服務



## 1. 安全注意事項

使用本產品時，必須遵守下列安全預防措施：

下圖表示由於錯誤操作而引起不同程度的危險等級。











	<b>警告：</b> 此標誌表示可能造成傷亡。
	<b>注意：</b> 此標誌表示可能造成傷害或機件故障

以下不同標誌區分各種必須遵守的指示。

	此標誌表示 禁止。
	此標誌表示 必須遵守。



	切勿在沒有裝置抹布 / 除塵紙的情況下使用本產品，以免損壞地面/地毯，造成產品損壞。		切勿在充電器的電源線上放重物或讓其接觸灼熱的表面；切勿夾住、改裝、用力拉扯或扭曲充電器的電源線。
	充滿電後指示燈熄滅，立即拔除充電器。長時間充電，可能造成充電池過熱或燃燒等危險。		在清潔本產品、安裝或拆卸配件前，請確保充電器已從插座拔掉並確保電源已關閉。
	在充電期間，切勿離開本產品。		在插入或拔除充電器時，應用手握穩插頭，不要抓住電源線。
	切勿將本產品放置於書櫃、壁櫥或其他封閉的空間。確保本產品的通風良好。		切勿在充電器的電源線纏結的情況下為產品充電。
	為防止危險，必須按照此說明書建議方法使用，切勿在室外或用作清潔地板以外的其他用途。		切勿使用有殘缺或鬆動的插座。確保充電器使用前已充分抹乾及使用時插穩。

	切勿讓小孩在沒有監督下使用、清潔及維修保養本產品或把其當作玩具。請將本產品及其充電器放於小孩及寵物不能接觸的地方。		本產品拖頭必須使用生產商提供的充電池及充電器進行充電。使用非生產商提供的充電池或充電器，可能會損壞產品及造成危險。
	切勿將拖把、手柄、充電器或其插頭浸入水中，或被水濺濕，以免造成觸電的危險。		手濕時切勿安裝配件、接觸、插入或拔除充電器，否則可構成觸電的危險。
	切勿擅自改裝本產品或使用非生產商提供的零件修理，否則可造成危險及維修保養無效。		為避免危險，使用及充電時必須遠離以下地方： - 易燃物、噴霧劑及煙劑等周圍 - 熱源（如散熱器）、火源或直接受陽光照射的地方 - 近水的環境 - 大量熱氣、蒸氣或潮濕的地方。
	本產品可供年齡在 8 歲或以上的兒童及體質、感覺或智力有障礙人士或缺乏經驗和相關知識的人士使用，但他們必須曾經接受負責安全人士的監督或指導如何安全地使用拖把和理解所涉及的危險。		經常檢查本產品及充電器，如有損壞，為避免危險，請立即停止使用，並聯絡信興電器服務中心有限公司進行檢查及維修。
	本產品拖頭包含只能由技術人員更換的充電池，切勿自行拆卸或更換。		只能使用本產品隨機附送的充電器為電池充電。

## 2. 清潔及儲存

建議用戶定期清理拖頭及抹布，否則，灰塵及污垢過度積聚，有可能會減弱產品的清潔效能。

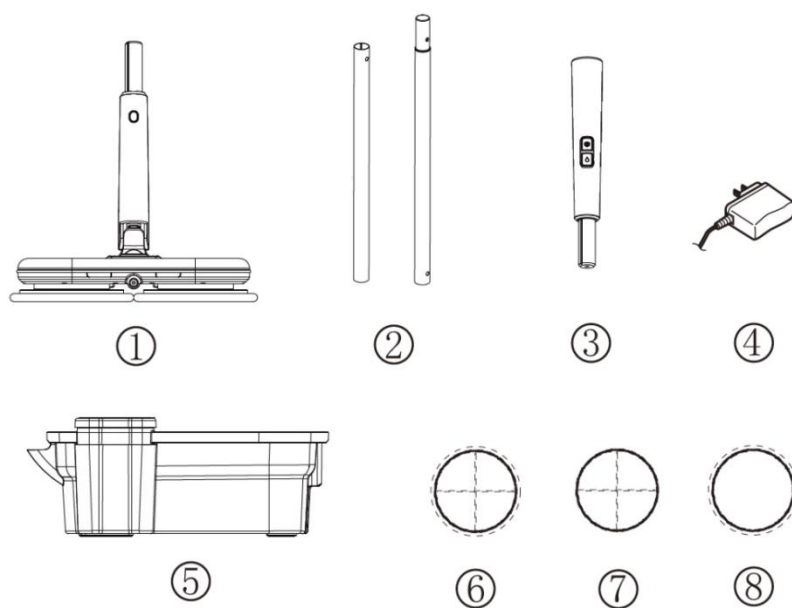
1. 清潔前，必須確保產品已關閉（即拖頭的總開關在 OFF 位置〔關機狀態〕），及讓產品完全冷卻後才能進行清潔。
2. 機身的清潔：切勿用水直接沖洗機身。可用柔軟濕布擦拭機身表面。若表面污漬太多，可用沾有少量溫和清潔劑的軟布擦拭，然後以濕布過淨。
3. 拖頭的清潔：如拖頭的主軸被毛髮或異物纏繞，可試著用鑷子協助去除；若不，安全裝置會啟動，使產品停止工作。
4. 切勿使用百潔布或其他粗硬的潔具清潔。帶腐蝕性或有毒的清潔劑，亦不適合用於清潔本產品。
5. 待清洗及產品完全冷卻後，可將產品放入紙箱然後儲存在乾燥的環境中。
6. 切勿將產品長期直立放置於地板上，或會令地板變色。如要直立存放，可將產品凹凸卡扣鎖上，並放置於拖頭清洗座上，方便日後使用〔可參考“**章節 6.2 凹凸卡扣的應用**”〕。

### 3. 產品規格

型號	RCM-F51WB
額定電壓	DC 9 伏特
額定功率	9 瓦
充電電池種類	鋰離子電池
額定充電電池容量	2,000 mAh
充電器輸入規格	100-240 伏特~ 50/60 赫茲
充電器輸出規格	DC 9V 500 mA
充電時間 (約)	4 小時
使用時間 (約)	50-80 分鐘*
水箱容量	150 毫升
產品尺寸 (闊 x 深 x 高) (約) (安裝延長管及手柄)	295 x 135 x 1120 毫米
淨重 (約) (安裝延長管及手柄)	1.2 公斤

\* 本產品可運行時間的長短會因充電電池溫度及其他使用條件而有所差異。

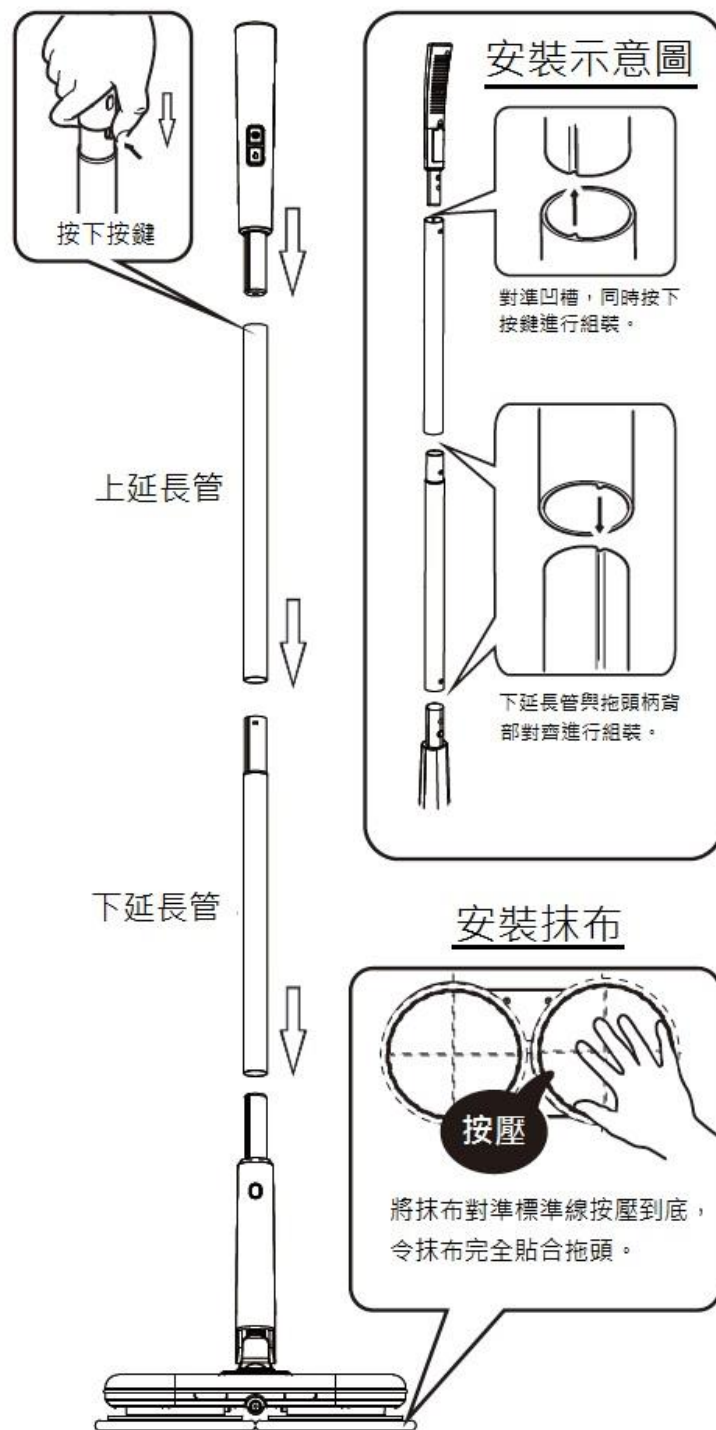
### 4. 產品結構



- |                      |          |
|----------------------|----------|
| 1. 拖頭                | 5. 拖頭清洗座 |
| 2. 上延長管(圖左)及下延長管(圖右) | 6. 纖維抹布  |
| 3. 手柄                | 7. 夾層墊   |
| 4. 充電器               | 8. 除塵紙   |

## 5. 配件的組裝與拆除

### 5.1 配件組裝

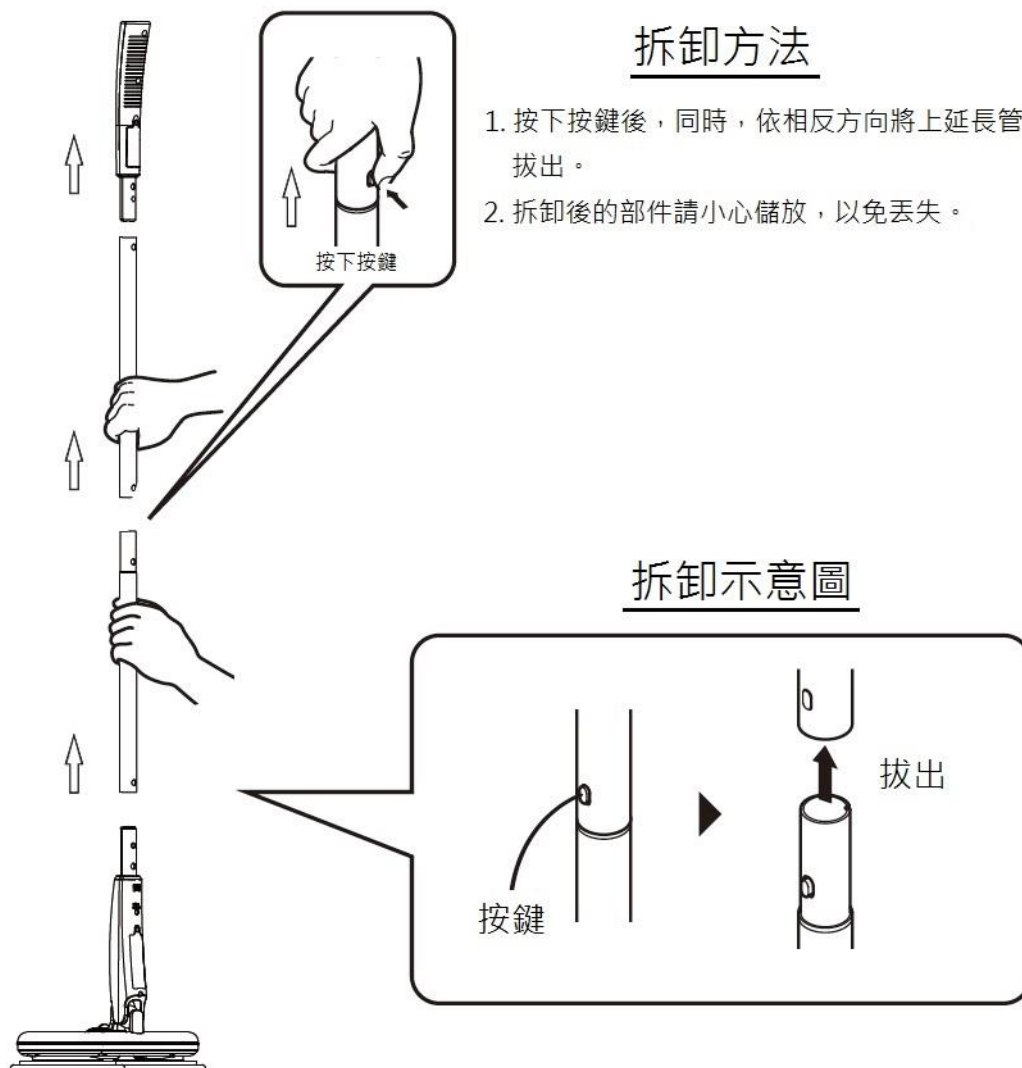


**注意！** 小心區分上、下延長管，次序有誤將無法完成安裝。

**注意！** 組裝時須分外小心，慎防接合位置夾傷手指；確保所有連接部件已安裝穩妥，以防使用過程中脫落。

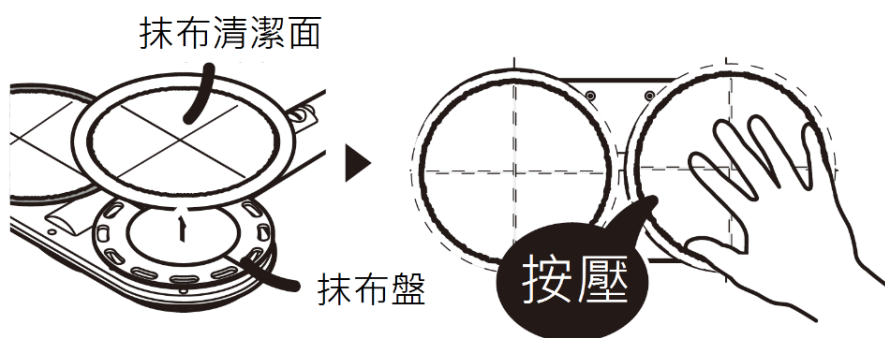
**注意！** 組裝時，確保總開關在 OFF 位置（關機狀態）。

## 5.2 拆除配件



**注意！** 必須於按鍵按到最底的情況下，才將部件拆除；強行拆卸，有機會令部件損毀。如情況許可，切勿經常裝拆手柄、上下延長管及拖頭。

## 5.3 抹布的組裝及拆除

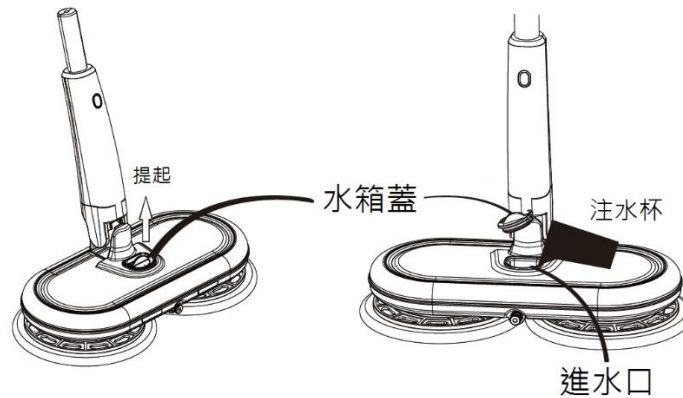




1. 將抹布的中心對準拖頭抹布盤的中心位置，按壓到底，直至抹布與拖把完全貼合。
2. 用戶須確保兩塊抹布貼於拖頭兩邊的正中心位置，以免影響產品正常運作，繼而減少產品運作時間。
3. 如須使用除塵紙，可先將夾層墊安裝於抹布盤上，然後再將除塵紙張貼於夾層墊上。

## 6. 使用方法

### 6.1 水箱的使用



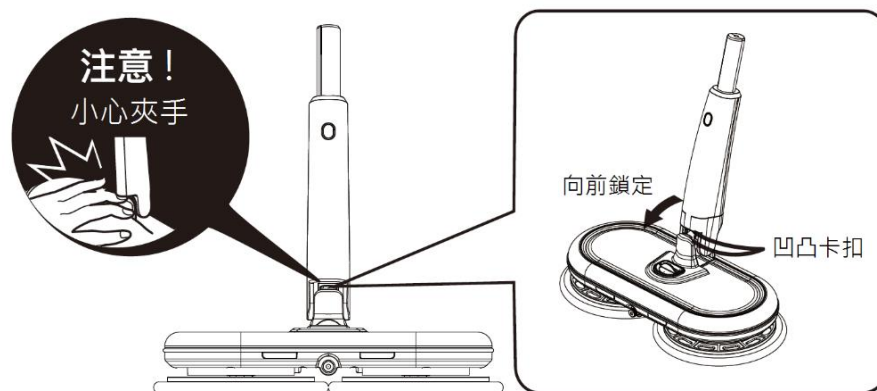
本產品備有噴水功能，以便為地板加濕，輔助清洗地板。如要使用此功能，必先於拖頭水箱內裝水，並按以下步驟操作：

1. 將拖頭的水箱軟蓋提起；
2. 利用注水杯，於進水口注入適量的淨水（水箱容量為 150 毫升，切勿超過最高水位）；
3. 完成後，確保水箱軟蓋已關閉完好；如發現有水溢出，應即時抹乾，以免影響產品運作。

**注意！** 切勿將產品置於水龍頭下方直接加水，以免產品出現故障。

**注意！** 面對難以清除的污漬，用戶可於水箱內加入稀釋的中性清潔劑；正確使用清潔劑，並嚴格遵照比例使用，以免造成噴咀堵塞。

## 6.2 凹凸卡扣的應用



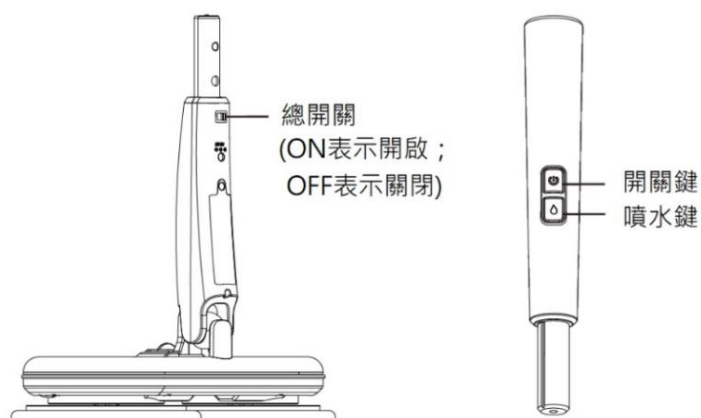
本產品拖頭設有凹凸卡扣，能令產品垂直立於地板上。先將拖頭置於水平位置，然後，將手柄延長管推向水箱進水口方向，直至凹凸卡扣互相扣緊，產品即可垂直置站立。

如需解除，將手柄延長管向後傾，凹凸卡扣會鬆開，即可回復原狀。

**注意！** 切勿強行將凹凸卡扣鎖上，如卡扣損毀，產品將無法垂直站立。

## 6.3 操作本產品

用戶先按“**章節 5.1 配件組裝**”將手柄、上下延長管、拖頭及抹布組裝，然後弄濕抹布，並按以下內容操作本產品：



- 啟動本產品：將拖頭背部的總開關調至 ON 位置（開機狀態），然後，將產品放置於需要清理的地面上，按一下手柄的<開關>鍵，拖頭下方的抹布開始旋轉，產品開始工作。運作時，拖頭上的指示燈為藍色，而拖頭前方的照明亦會亮起。一般情況下，利用拖把於地板上前後拖動，不須費勁。而需要時，可按下手柄的<噴水>鍵，水會從拖頭前方噴出，濕潤地板，輔助清洗地面。

- 關閉本產品：完成後，按一下手柄的<開關>鍵，抹布停止旋轉。用戶須同步將拖頭背部的總開關調至 OFF 位置（關機狀態）。

**注意！**切勿過度按壓上下延長管，以免造成損毀，或令保護裝置啟動，令產品停止運作。

**注意！**完成工作後，如長時間未有關閉總開關，有可能會引起故障。

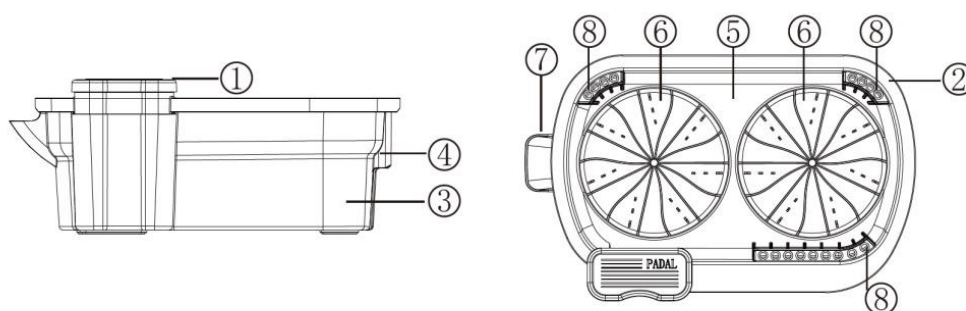
**注意！**切勿用手接觸正在旋轉的拖頭，有可能會造成損傷。

**注意！**產品必須於組裝抹布的情況下使用；而運作過程中，容易造成損毀、掉落、纏繞抹布或勾住抹布的物件〔如：麻繩或地毯等物件〕須遠離本產品。

## 6.4 拖頭清洗座的應用

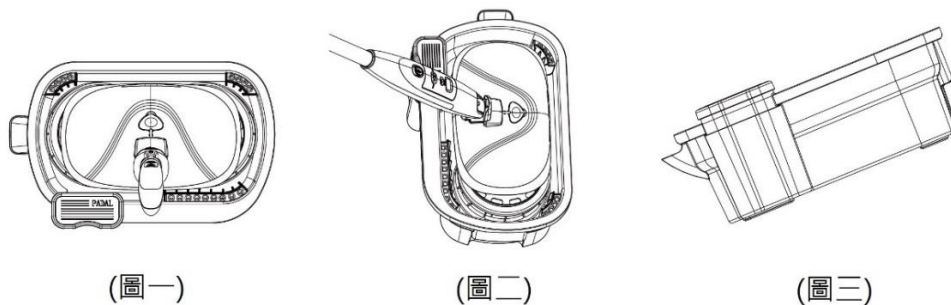
產品備有專用的拖頭清洗座，用於清洗及過淨骯髒的抹布。利用排水腳踏設計，將污水輕鬆排走，不沾污雙手。

### 6.4.1 清洗座的結構



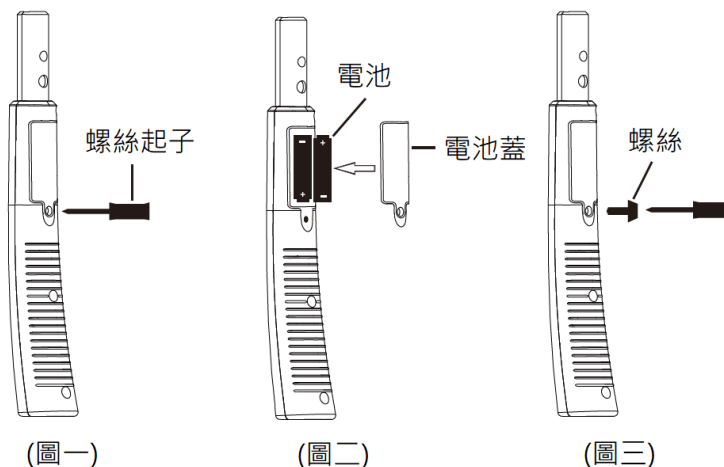
- |          |        |
|----------|--------|
| 1. 排水腳踏  | 5. 淨水台 |
| 2. 拖頭清洗座 | 6. 洗刷台 |
| 3. 污水盤   | 7. 排水口 |
| 4. 提手    | 8. 滿溢孔 |

## 6.4.2 抹布的清洗與過淨



1. 先將淨水注入淨水台，直至水位接近滿溢孔位置。  
**注意！**注水時，應先將產品移離清洗座，以免引起產品短路或故障。
2. 按〔圖一〕所示，將產品垂直放置於清洗座上，拖頭與清洗座扣緊，抹布緊貼洗刷台。  
**注意！**如發現滿溢孔有異物倒塞，有機會引起污水溢出。清洗前先將異物清除。
3. 鬆開凹凸卡扣，將手柄延長管傾斜於洗刷台〔圖二〕，用手捉緊手柄並按一下<開關>鍵，抹布開始於洗刷台轉動，將污垢洗走。建議每次清洗 10-20 秒。  
**注意！**切勿過份用力按壓手柄延長管，否則，保護裝置或會啟動，令產品停止運作。
4. 清洗完成後，按一下<開關>鍵關閉產品，抹布停止轉動。踏下排水腳踏數次，讓污水排放到下方污水盤中，再按一下<開關>鍵，將抹布弄乾。
5. 過淨數次後，污水盤已累積不少污水，用戶可按〔圖三〕所示，用手提起清洗座的提手，將污水經由排水口排走。

## 6.5 更換手柄電池



控制產品運作及噴水需要為手柄裝上電池，用戶須按以下步驟裝上電池：

圖 1) 先用螺絲起子，鬆開手柄背部的螺絲；

圖 2) 打開電池蓋，按電池方向裝上兩顆 AAA 電池；

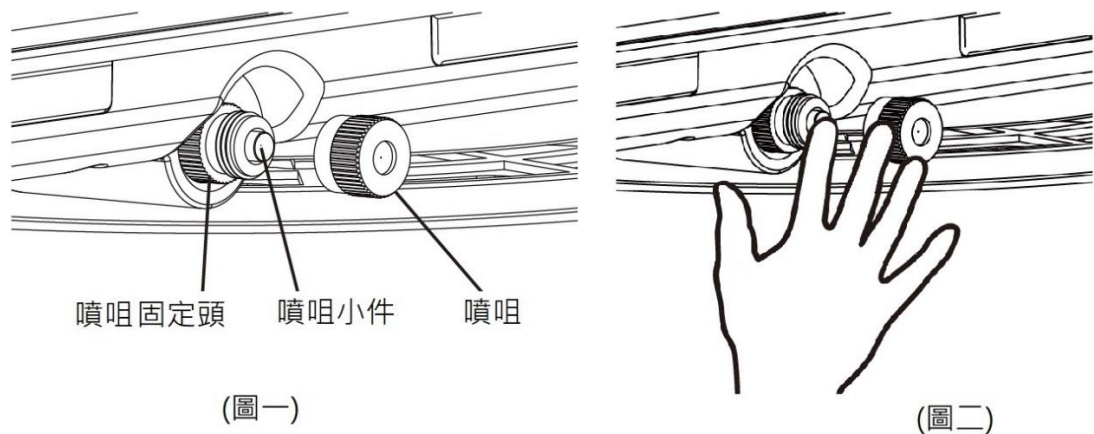
圖 3) 蓋回電池蓋，利用螺絲起子將螺絲上緊，組裝完成。

**注意！** 小心分辨電池的正負極，切勿弄錯。

**注意！** 組裝過程拆除的細小配件要小心看管，切勿丟失。

**注意！** 如發現未能操作產品或噴水，請按以上步驟重新安裝或更換電池。

## 6.6 噴頭的清理



長按手柄的<噴水>鍵約 5 至 10 秒，讓噴咀持續噴水，有助清理噴咀異物，以免阻塞。如噴水功能未能如果操作，按以下步驟處理：

- 逆時針方向旋動噴咀以拆除；
- 按〔圖二〕，用手指頭輕輕遮擋噴咀小件，然後反復按下<噴水>鍵，噴咀小件與手指間會有水流出，重複數次，直至將異物排走；
- 完成後，順時針方向旋動，將噴咀裝回原位；

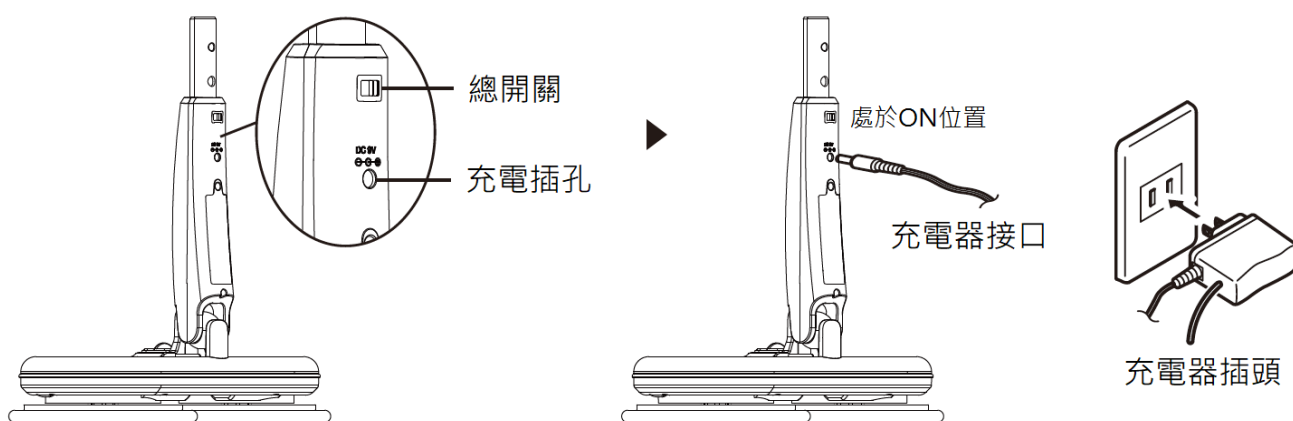
**注意！** 零部件較細小，裝拆時須份外小心，如有遺失，噴水功能將不能如常運作。

**注意！** 如用戶將產品提起並水平於牆壁，噴水功能將不能運作。

## 7. 充電方法

首次使用，或者長時間不使用時，必須確保產品已充滿電。(切勿於充電時開啟本產品)

**警告！** 電源供應必須為220伏特交流電，及必須使用原裝充電器。如使用非原裝的充電器為本產品充電，可能會造成故障和起火。



- 充電前，用戶先確保總開關調至ON位置（開機狀態），否則無法充電；
- 將充電插頭連接於拖頭背面的充電插孔上，將充電器的另一端插入電源插座。
- 充電時，拖頭上的指示燈為紅色，表示產品正在充電；當充電完成後，指示燈會熄滅。
- 完成後，將充電器的由電源插座的一端拔出，另一端則從充電插孔拔出。

**注意！** 首次使用前，必須將電池徹底充電。

**注意！** 充電進行中，充電器及主機會變熱，此乃正常現象。

**注意！** 若長時間不使用本產品，請每三個月進行一次充電，防止電池老化。

## 8. 故障排除

故障現象	原因	解決方法
產品不能運作。	檢查總開關是否已開啟	將總開關調至 ON 位置（開機狀態）。
	是否已充電完畢	重新將產品充電。
	手柄電池是否已耗盡	更換手柄內的電池。
	檢查抹布是否被異物纏繞	參考“ <b>章節 2 清潔及儲存</b> ”清理抹布上的異物。
	延長管內是否有異物阻礙影響訊號傳遞	將阻塞的異物清除。
	是否使用錯誤的充電器	使用原裝的充電器替產品充電。
噴水功能失效	按下噴水鍵，拖頭沒有聲響	更換手柄的電池。
	檢查水箱是否有足夠水量	利用量杯於水箱添加足夠水量。
	噴頭是否有異物堵塞	參考“ <b>章節 6.6 噴頭的清理</b> ”清洗噴咀。

	水箱內是否添加了較黏稠的清潔劑	請將清潔劑倒掉及清洗水箱。
噴咀漏水	運作完成後，是否有少量水滴溢出	屬正常現象，可用扭乾的濕布抹淨，
	是否滴水不止	有異物阻塞噴咀，可長按<噴水>鍵連續噴水以清除異物。 如情況持續，參考 <b>章節 6.6 噴頭的清理</b> 清洗噴咀。

如使用以上方法仍未能使產品恢復正常操作，切勿嘗試自行維修。請聯絡信興電器服務中心有限公司進行檢查及維修。

## 9. 特別聲明

1. 本資料上所有內容經過核對，如有任何印刷及內容上的誤解，本公司將保留解釋權。
2. 本產品若有技術改進，會編進新版說明書中，恕不另行通知；產品外觀、顏色如有改動，則以製造商資料為準。
3. 如中英文版本有差異時，應以中文版為準。
4. 使用說明書的電子副本可以通過電子郵件發送致客戶，如有需要，可致電信興電工工程有限公司：28612767。

## 10. 售後服務

1. 由購買收據日期起之一年保修期內，經信興電器服務中心有限公司之服務人員證實產品故障屬於正常使用之情況下發生者，本公司將提供免費維修或更換零件服務。經更換之任何損壞零件，將歸屬本公司所有。保修範圍不包括修理或更換產品之損耗性零件如纖維抹布、夾層墊、除塵紙、噴咀小件及水箱軟蓋等配件。如不當使用，或作為(半)商業用途，或未依照說明書使用，保修服務將無效，本公司將不會承擔任何損壞的維修責任及賠償。
2. 用戶必須於維修時出示購買／換購收據及蓋有銷售點／換購中心印章的產品保修記錄卡。如有任何疑問，請致電信興電器服務中心有限公司熱線：24065666查詢。

Thank you for choosing Rasonic cordless electric spray mop. Read the operation manual carefully before use and keep it for your future reference.



## **Table of Contents**

1. Important Safeguards
2. Cleaning and Storage
3. Product Specifications
4. Product Descriptions
5. Accessories Assembly and Disassembly
6. Operation Instructions
7. Charging
8. Troubleshooting
9. Special Avowal
10. After Sales Service

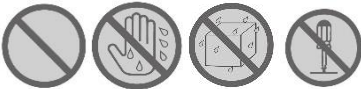






# 1. Important Safeguards







When using the appliance, please follow the below safety precautions: The following chart indicates the degree of damage caused by wrong operation.





	Warning: Indicates that may cause death or serious injury.
	Caution: Indicates hazards that may cause human injuries or property damages

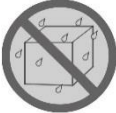



The following symbols can distinguish the instruction types that need to be strictly followed.





	These symbols mean prohibition
	These symbols mean requirement that must be followed.

			
	Never use the appliance when cleaning pads or disposal pads are not in place, it is to avoid		Do not put heavy objects on the power cord of the adaptor or let it touch any hot

	damage due to improper use.		surface. Never clip, modify, stretch or twist the power cord of the adaptor.
	Make sure to unplug the adaptor after fully charged. Charging for a long time may cause hazards such as rechargeable battery overheat and burn.		Remove the adaptor from socket and keep the main switch in OFF position before cleaning appliance, installing or removing the accessories
	Do not leave the appliance unattended while it is charging.		Always hold the adaptor plug tightly with hands when insert or remove it. Do not grasp its power cord.
	Do not place the appliance in a bookcase, built-in cabinet or in another		Do not use the adaptor when its power cord is tangle.

	<p>confined space. Ensure the appliance is well ventilated.</p>		
	<p>To avoid danger, use the appliance only as described in the manual. Do not use outdoors or for other purposes than floor cleaning.</p>		<p>Never use deficient or loosen power socket. Make sure the adaptor is dry before use and inserted firmly when use.</p>
	<p>Children shall not play with the appliance. Using, cleaning and maintenance shall not be made by children without supervision. Put the appliance and its adaptor in a place not reachable by children or pet.</p>		<p>The mopping head must be used with the provided rechargeable battery and charged with the provided adaptor. Otherwise, it may damage the appliance or cause danger.</p>

	<p>Never immerse the mopping head, handle, adaptor or its plug into water or let them wet, it is to avoid electric shock.</p>		<p>To avoid electric shock, never assemble accessories, touch, plug or unplug the adaptor with wet hands.</p>
	<p>Do not attempt to modify the appliance by yourself or repair with any parts that are unauthorized, otherwise it may cause hazards and warranty becomes invalid.</p>		<p>To avoid danger, never use and charge the appliance near the environment of:</p> <ul style="list-style-type: none"> <li>– Flammable materials, sprays and aerosols</li> <li>– Heat source (e.g. radiator), fire or expose under direct sunlight</li> <li>– Near water</li> <li>– Massive hot air, steam or humid area</li> </ul>

	<p>The appliance can be used by children aged from 8 years and above and person with reduced physical, sensory or mental capabilities, or lack of experience and knowledge, if they have been given supervision or instruction concerning use of the appliance in a safe way and understand the hazards involved.</p>		<p>Always check the condition of the appliance and adaptor. To avoid hazards, please stop using immediately if any damage is found. Please contact Shun Hing Electric Service Centre Limited for checking and repairing.</p>
	<p>To avoid the mopping head damage and danger, never use the unauthorized battery or adaptor.</p>		<p>Only use the adapter supplied with the appliance to charge the battery.</p>

## **2. Cleaning and Storage**

It is recommended to clean the mopping head and cleaning pads regularly, otherwise if too much dusts accumulated, it may weaken the cleaning performance of the appliance

1. Unplug the appliance (turn the main switch of the mopping head to OFF position) and let it cool down before cleaning the appliance.
2. Main body cleaning: Do not rinse it with water. Use a damp cloth to clean the appliance surface. If it is too dirty, wipe it with a damp cloth with a little mild detergent, then wipe with damp cloth.
3. Mopping head cleaning: When the spindle at the back of the cleaning pads gets stuck by foreign objects, the safety protection device will be activated to suspend the operation. Recommended to use tweezers to help cleaning the objects.
4. Never use cleaning powder or harsh cleaning tools when cleaning. Do not use toxic and abrasive cleaners for cleaning.
5. After cleaning, let the appliance cool down completely before storage and put it in a box and store in a dry place.
6. Do not stand the wet cleaning pads on the floor for a long time, which may cause discoloration of the floor. If you want to store it upright, you can keep the lock catch locked on the mopping head

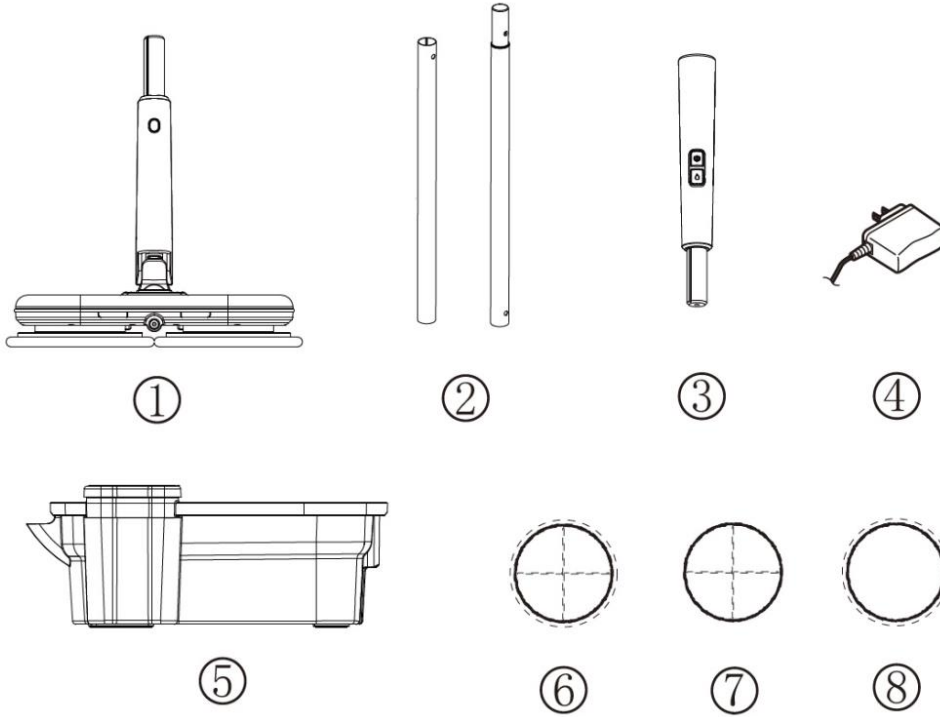
and rest it on the water bucket for future use (Refer to “**Chapter 6.2 Use of lock catch**”).

### 3. Product Specifications

<b>Model</b>	RCM-F51WB
<b>Rated Voltage</b>	DC 9V
<b>Rated Power</b>	9W
<b>Rechargeable Battery Type</b>	Lithium-ion rechargeable battery
<b>Rated Rechargeable Battery Capacity</b>	2,000mAh
<b>Adaptor Input</b>	100-240V~ 50/60 Hz
<b>Adaptor Output</b>	DC 9V 500mA
<b>Charging Time (Approx.)</b>	4.0 hours
<b>Operation Time (Approx.)</b>	50-80 minutes*
<b>Water Tank Capacity</b>	150 ml
<b>Product Size (WxDxH) (Approx.) (Extension poles &amp; handle installed)</b>	295 x 135 x 1120 mm
<b>Net Weight (Approx.) (Extension poles &amp; handle installed)</b>	1.2kg

\* The length of operation time can be varied depending on the temperature of the battery and other usage conditions

## 4. Product Descriptions

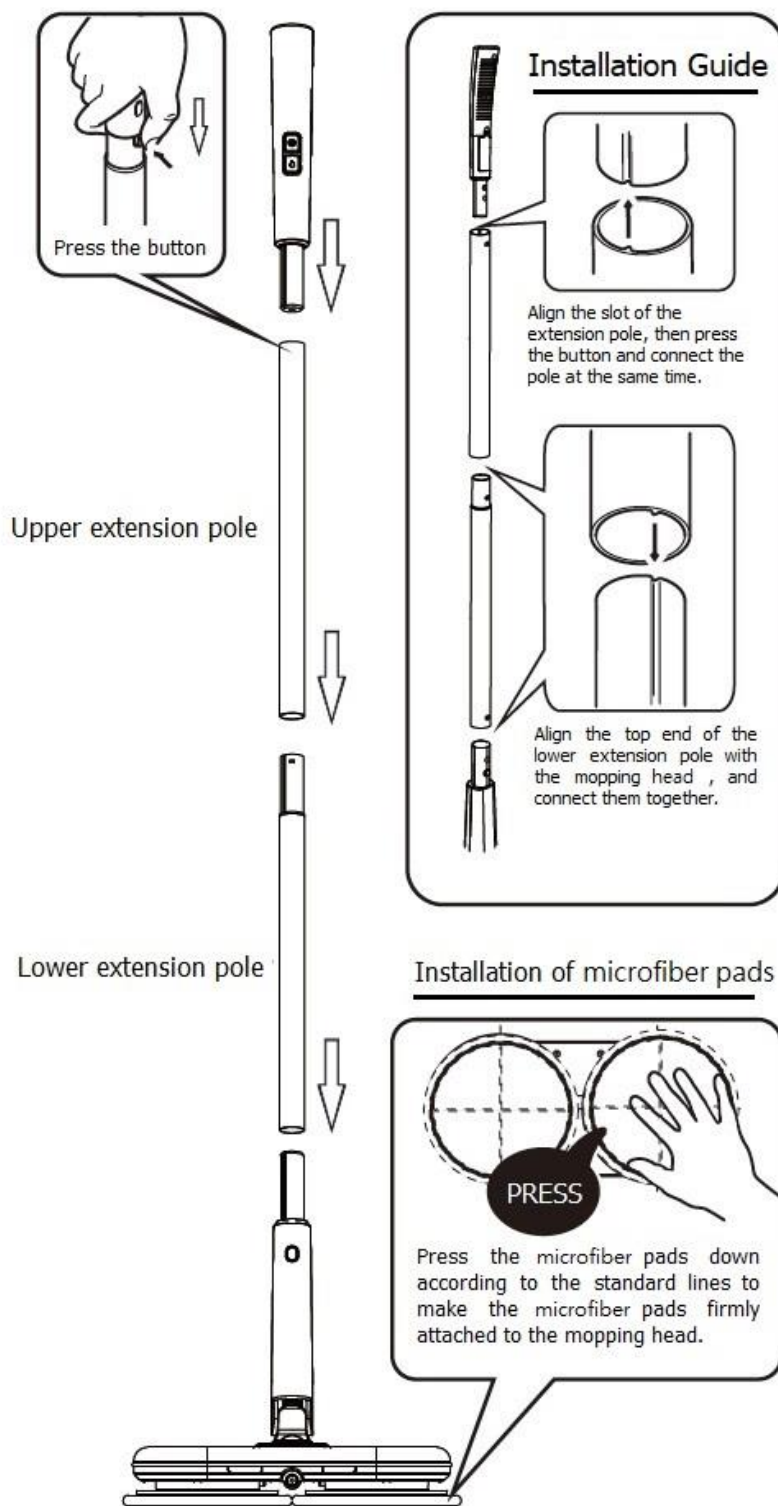


1. Mopping head
2. Upper extension pole (Left) & Lower extension pole (Right)
3. Handle
4. Adapter
5. Water bucket
6. Microfiber pad
7. Hoop & loop pad
8. Disposal pad



## 5. Accessories Assembly and Disassembly

### 5.1 Accessories Assembly

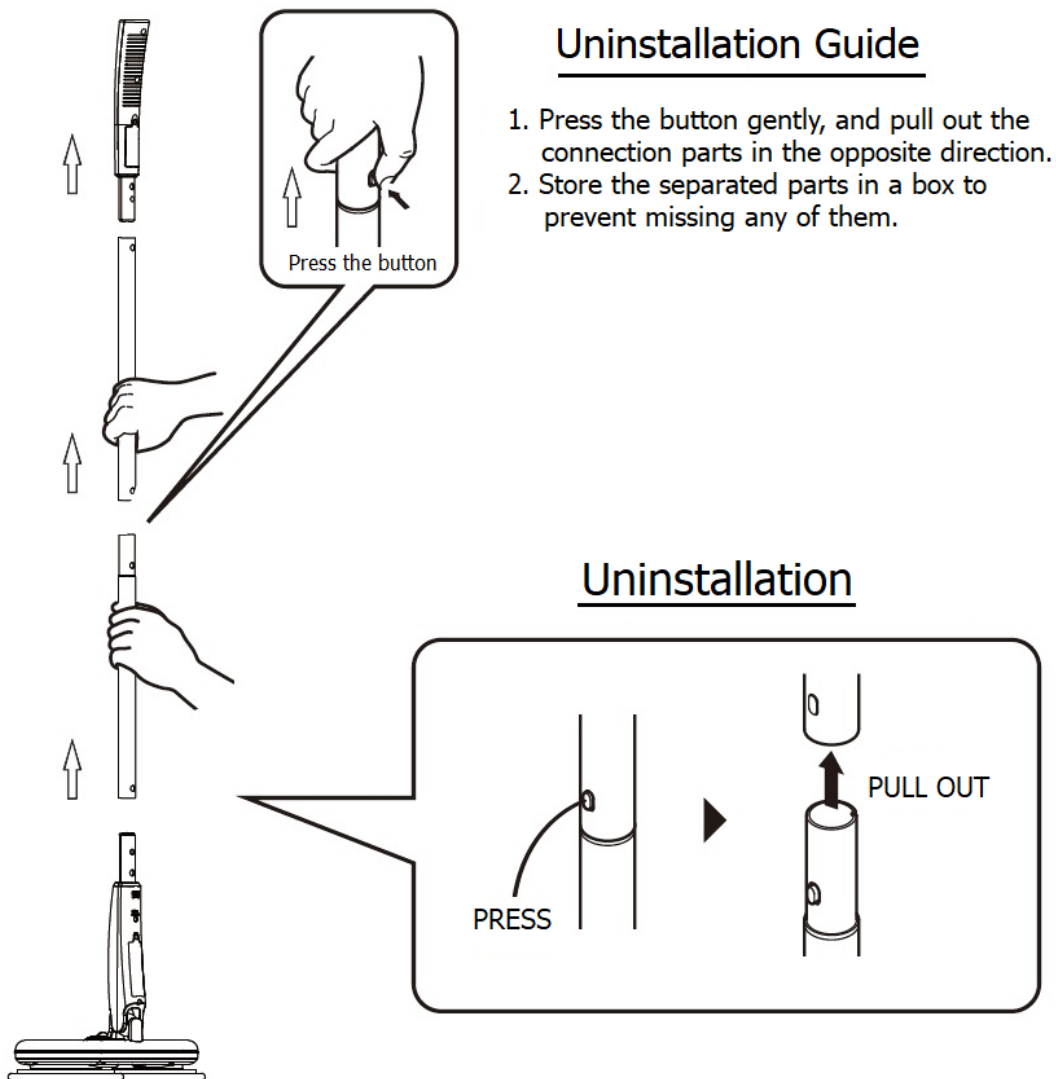


**ATTENTION!** Pay attention to the positions of upper and lower extension poles; otherwise, assembly may fail.

**ATTENTION!** Make sure all the components are well-installed. Do not pinch your fingers during assembly.

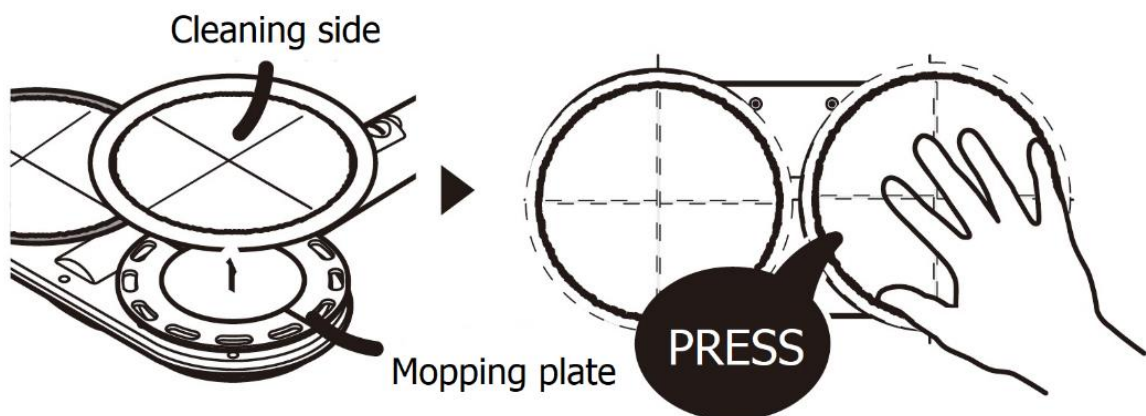
**ATTENTION!** When assembly, make sure the main switch is in OFF position.

## 5.2 Accessories Disassembly



**ATTENTION!** Do not forcibly pull out the connected parts if you do not press the button hard; otherwise, the appliance may damage. If possible, do not disassemble the handle, extension poles and mopping head usually.

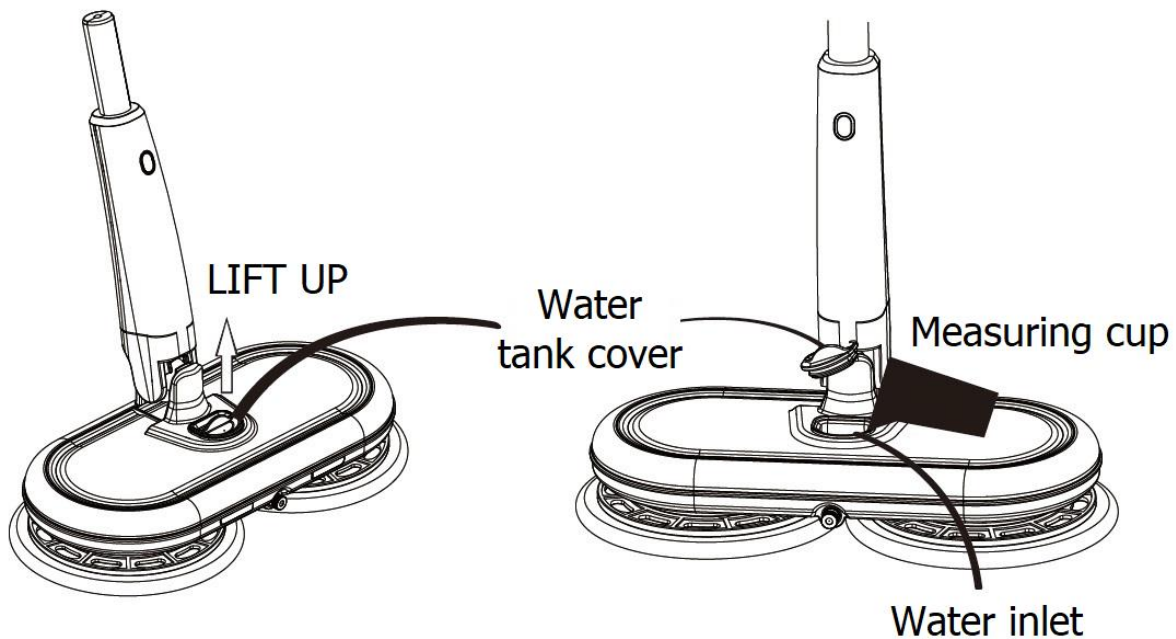
## 5.3 Assembly and disassembly of cleaning pad



1. Align the center of one microfiber pad with the center of the mopping plate, press the pad down to attach, as shown in Fig. 1.
2. Make sure the microfiber pads are well-installed. If the pads do not attach to the mopping tray properly, it will affect the operation and reduce the operation time.
3. To use the disposal pads, you must attach the hoop & loop pads on the mopping plate first, then attach the disposal pads on it.

## 6. Operation Instructions

### 6.1 Application of water tank



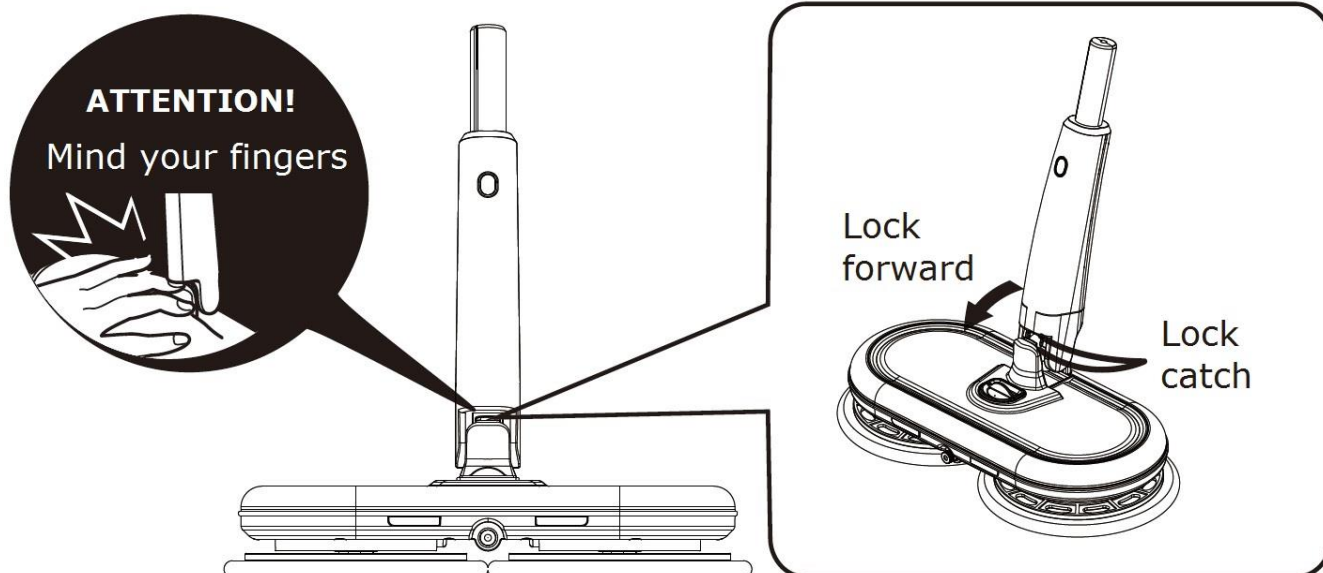
The appliance is equipped with water spray function, helping to humidify the floor and assist in cleaning floor. To apply, fill clean water into the water tank of the mopping head before use. Steps are as follow,

1. Lift the water tank cover.
2. Make sure to use a measuring cup to fill water. (The water tank capacity is 150ml. **DO NOT** exceed the maximum water level.)
3. After filled, make sure to put back the cover to close the water inlet. If there is an overflow of water, wipe it immediately to avoid malfunction.

**ATTENTION!** Do not inject tap water directly to avoid malfunction.

ATTENTION! To deal with stain which is difficult to remove, you can add diluted neutral detergent into the water tank; use the detergent correctly and strictly follow the water and detergent ratio recommended to avoid blocking the nozzle.

## 6.2 Use of lock catch

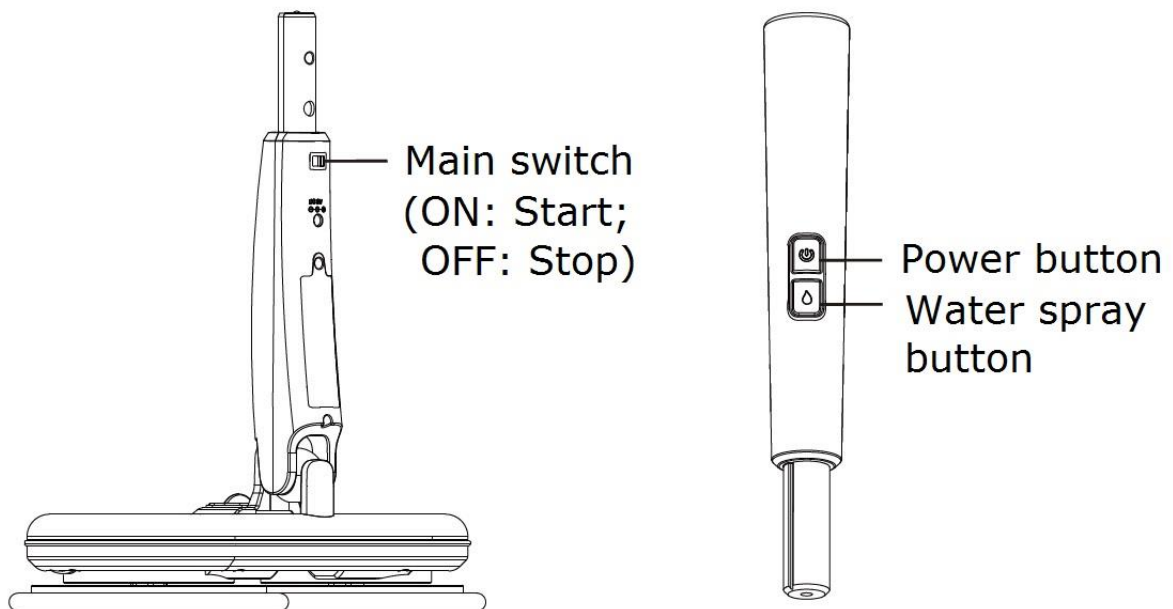


The appliance is equipped with lock catch, which can make the product stand vertically on the floor. Put the appliance in a horizontal plate, move the handle forward to vertically erect the extension poles and then let the lock catch locked. To unlock, release the lock catch by holding the extension poles backward.

ATTENTION! Do not forcibly use the lock catch, as it may be destroyed and be cannot reused.

## 6.3 Instruction of use

According to “**Chapter 5.1 Assembling the accessories**”, assemble the handle, extension poles, mopping head and cleaning pads accordingly. Moisten the pads, and then operate the appliance as follow:

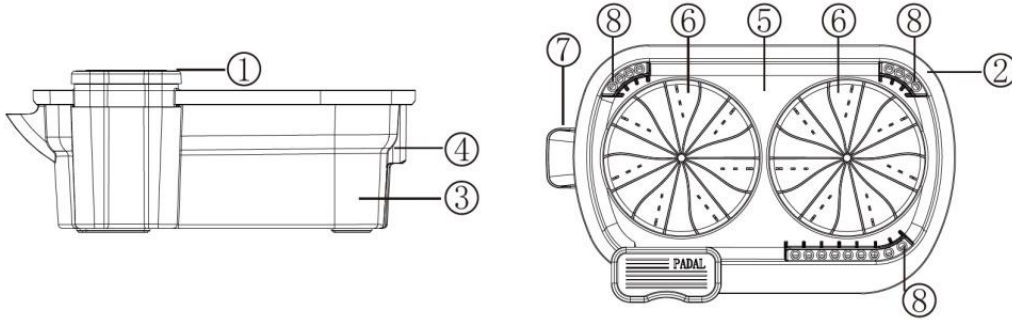


- Start the operation: Turn on the main switch at the back of the mopping head to ON position. Place the appliance on the ground to be cleaned, press the <Power> button once on the handle and the cleaning pads start to rotate. During operation, the indicator on the mopping head will be in blue while the LED on the front will be switched on too. In normal situation, you need not to add force when mopping; if necessary, press the <Water spray> button on the handle to spray water on the ground.
- End the operation: Once finished, press the <Power> button once to switch off the operation. Turn the main switch to OFF position at the same time.  
 ATTENTION! Pressing the extension poles hard may damage the appliance or cease the operation.  
 ATTENTION! After cleaning, if the main switch is not turned to OFF position for a long time, the appliance will crash and cause malfunction.  
 ATTENTION! Do not touch the cleaning pads when rotating; otherwise, you may be injured.  
 ATTENTION! The appliance must be used when the cleaning pads assembled; during operation, objects that are likely to be damaged, falling, or entangled/ hooked by the cleaning pads (such as hemp rope or carpet, etc.) must be kept away from the appliance.

### 6.3 Use of water bucket

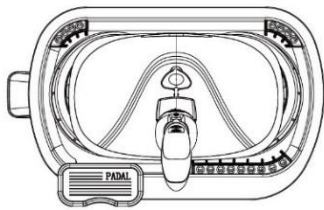
The appliance is equipped with a dedicated mop cleaning water bucket for cleaning the dirty pads. Moreover, the use of a drainage foot pedal design can easily drain waste water without staining your hands.

#### 6.4.1 Construction of water bucket

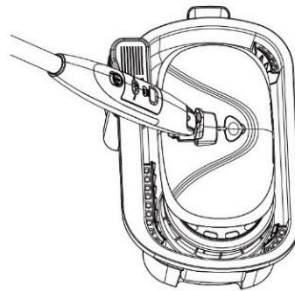


- |                        |                          |
|------------------------|--------------------------|
| 1. Drainage foot pedal | 5. Water injection plate |
| 2. Water bucket        | 6. Friction plate        |
| 3. Waste water tank    | 7. Drainage hole         |
| 4. Handle              | 8. Overflow level        |

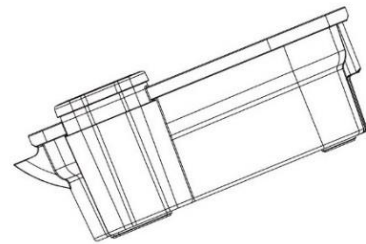
#### 6.4.2 Clean and dry the cleaning pads



(Pic.1)



(Pic.2)



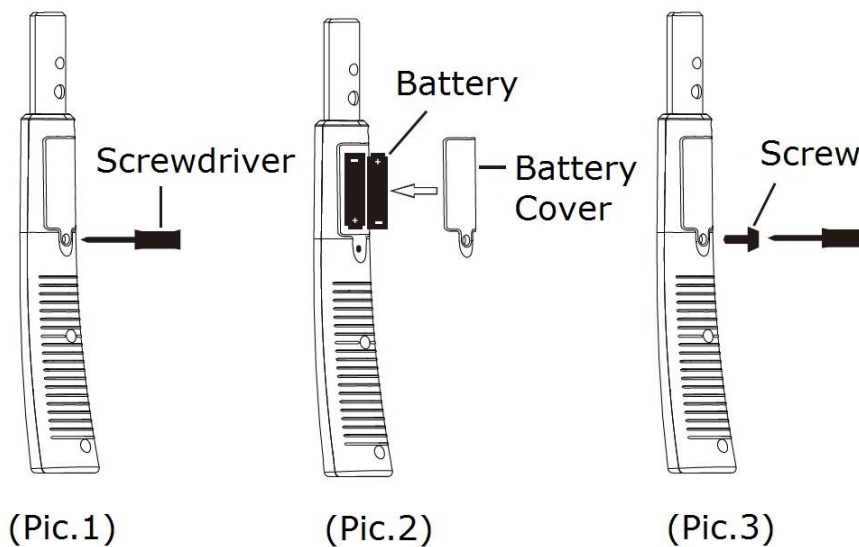
(Pic.3)

1. Fill water onto the water injection plate of the water bucket until nearly reach the overflow level.

**ATTENTION!** When filling water, do not put the appliance on the water bucket, to avoid short circuit or cause damage.

2. As shown in Pic.1, put the appliance on the water bucket vertically.  
ATTENTION! Pay attention if the overflow outlets are blocked by foreign objects, which may lead to overflow. Keep the overflow outlets unblocked when use.
3. Put the appliance in inclined level as shown in Pic.2, and hold the handle firmly. Start the operation by pressing <Power> button. The pads will be cleaned by rotation. Suggested to clean the pads for 10-20 seconds.  
ATTENTION! Do not press the extension poles heavily, otherwise, safety protection will be activated and stop the operation.
4. After cleaning, switch off the appliance by pressing <Power> button once. Step on the drainage foot pedal repeatedly to discharge the sewage into the waste water tank.
5. After several time of drainage, certain sewage accumulated inside the waste water tank.  
Pour them out by holding the handle of the water bucket as shown in Pic.3.

## 6.5 Change of battery in handle



To operate and use the water spray function, you should install battery on the handle. Follow the below steps to install:

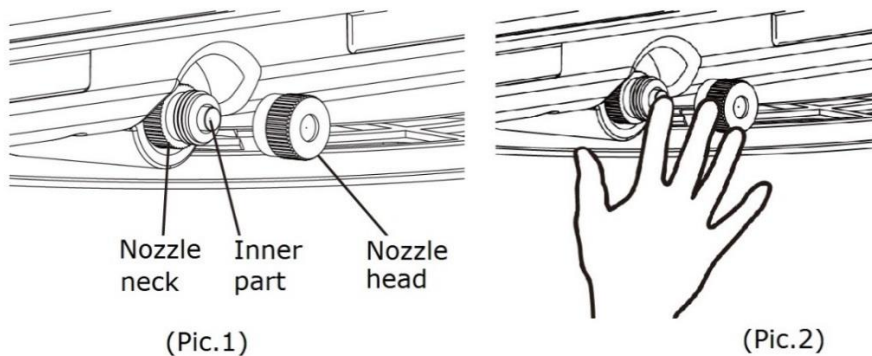
1. Take out the battery cover on the handle with a screwdriver.
2. Insert two AAA batteries as indicated.
3. Close the battery cover and tighten the screw with a screwdriver.

ATTENTION! Identify the positive and negative poles when install the batteries.

ATTENTION! During installation, take good care of small accessories to avoid losing them.

ATTENTION! If there is no operation or water spray after batteries installed, follow the steps above to re-install or replace the batteries.

## 6.6 Nozzle cleaning



Press and hold the <Water spray> button about 5-10 seconds to access the water spray function. Water will be sprayed steadily such to keep the nozzle head unblocked. If not, follow the instructions below to clean the nozzle,

- Rotate the nozzle head counter-clockwise to detach.
- As shown in Pic.2, block the inner part of the nozzle slightly by fingers. Press the <Water spray> button repeatedly to start water spraying. There will be water overflows between the inner part and your fingers. Repeat several times to discharge the blockage.
- After clearing, turn the nozzle head clockwise to put it back.

ATTENTION! Pay extra attention when install the small inner part. If the inner part is lost, the water spraying function may not work properly.

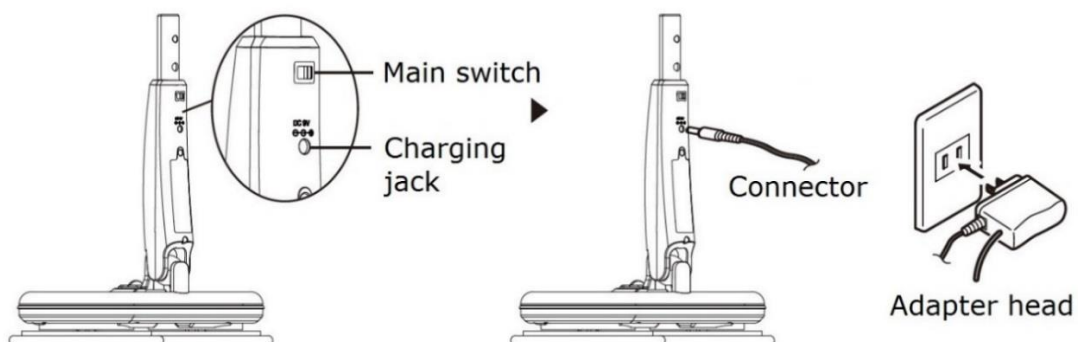
ATTENTION! When you hang the appliance to clean the walls, the water spray function will be disabled.

## 7. Charging

Be sure to fully charge the battery when used for the first time or when not used for a long time.

**(DO NOT** operate the appliance when charging)

**WARNING!** The electricity supply must be 220V AC, and the adapter supplied must be used. It may cause malfunction or fire if improper adapter is used to charge the appliance.



- Turn on the main switch to ON position, otherwise, the appliance cannot be charged.
- Insert the connector of the adapter into the charging jack of the mopping head, and the adapter head to the power socket
- When charging, the indicator on the mopping head will be in red. The indicator will be switched off when charging is completed.



- Unplug the adapter head from power socket when finish.

ATTENTION! Make sure to fully charge the appliance before the first time of use.

ATTENTION! The adaptor and the appliance will become hot while charging, which is normal.

ATTENTION! If the appliance is not used for a long time, charge it every 3 months to prevent battery aging.

## 8. Troubleshooting

<u>Problem</u>	<u>Cause</u>	<u>Solution</u>
The appliance does not work.	Check if the main switch is turned on	Turn on the main switch to ON position.
	Check if the charging is completed or not	Recharge the appliance.
	Check if the batteries in the handle is exhausted	Replace the batteries in the handle.
	Check if the cleaning pads get stuck by foreign objects	Refer to “ <b>Chapter 2 Cleaning and Storage</b> ” to clean the cleaning pads.
	Check if there is any objects blocked the signal transmission	Clear the objects in the extension poles.
	Is it wrong adapter is used	Use the adapter supplied to charge the appliance.
The water spray malfunction	No working sound on the mopping head when pressing the <Water spray> button	Change the batteries in the handle.
	Check if there is sufficient water in the water tank	Make use of a measuring cup to fill sufficient water.
	Check if the nozzle blocked by foreign object.	Refer to “ <b>Chapter 6.6 Nozzle cleaning</b> ” to remove the foreign object.
	Check if the detergent added to the water tank is too sticky	Clear the water tank and the detergent inside.
Water leakage in nozzle	Small amount of drips after operation	Normal situation. Use damped cloth to wipe.
	Non-stop water dripping	To clear the objects blocking the nozzle, keep pressing the <Water spray> button repeatedly. If situation continues, refer to “Chapter 6.6 Nozzle cleaning” to clean the nozzle.

If the above solutions cannot fix the problem, do not attempt to repair it by yourself. Please contact Shun Hing Electric Service Centre Ltd. for checking and repairing.

## **9. Special Avowal**

1. The content in the operation manual has been checked. Our company reserves the hermeneutic power to any printing errors or misunderstanding on the content.
2. If there are technical improvements on the appliance, the operation manual will be updated in new version without prior notice. The product appearance and specification are subject to the manufacturer information.
3. In case there is any inconsistency or conflict between English version and Chinese version of the terms, the Chinese version shall prevail.
4. The e-copy of user manual can be sent by email on requested. For enquiries, please call Shun Hing Electric Works & Engineering Co., Ltd. hotline at 2861 2767.

## **10. After Sales Service**

1. For any defect, in the judgement of technician from Shun Hing Electric Service Center Limited, caused under normal use, our company is responsible for repairing any parts of the said electrical appliance free of charge within one year guarantee period commencing from the date of purchase. Any defect part which has been replaced shall become our property. Warranty service does not cover the repair or replacement of spare part consumable parts such as microfiber pads, hoop & loop pads, disposal pads, inner part and water tank cover, etc. If appliance is used improperly, for commercial use or semi-commercial use, or not following the instructions in the operation manual, the warranty becomes invalid and our company will refuse any liability and repairing cost for the damage caused.
2. User must present the official invoice/redemption voucher and the product warranty card with the chop from sales point/redemption center for maintenance. For enquiries, please call Shun Hing Electric Service Center Limited hotline at 2406 5666.





SHUN HING GROUP  
信興集團  
SINCE 1953

**Rasonic 樂信牌**

信興電工工程有限公司

**SHUN HING ELECTRIC WORKS AND ENGINEERING CO., LTD.**

辦公室：香港九龍尖沙咀東部麼地道67號半島中心9樓

電話：2861 2767

圖文傳真：2865 6706

網址：<http://www.rasonic.com>

電郵：[shew@shunhinggroup.com](mailto:shew@shunhinggroup.com)

Office: 9/F., Peninsula Centre, 67 Mody Road, Tsimshatsui East, Kowloon, H.K.

Tel: 2861 2767

Fax: 2865 6706

Website: <http://www.rasonic.com>

E-mail: [shew@shunhinggroup.com](mailto:shew@shunhinggroup.com)

保養及維修 Maintenance and Repair Service:

信興電器服務中心有限公司

**SHUN HING ELECTRIC SERVICE CENTRE LTD.**

香港新界葵涌勝耀街2號信興中心11樓

電話：2406 5666

圖文傳真：2408 0316

網址：<http://www.shesc.com/zh>

11/F, Shun Hing Centre, 2 Shing Yiu Street, Kwai Chung, N.T., H.K.

Tel: 2406 5666

Fax: 2408 0316

Website: <http://www.shesc.com/en>

客戶服務中心

香港新界葵涌勝耀街2號信興中心1樓

九龍尖沙咀東部麼地道67號半島中心B座9樓

香港天后琉璃街7號柏景中心22樓

澳門慕拉士大馬路193-199號南嶺工業大廈5樓1座

Customer Service Centre

1/F, Shun Hing Centre, 2 Shing Yiu Street, Kwai Chung, N.T.

9/F., Block B, Peninsula Centre, 67 Mody Road, Tsim Sha Tsui East, Kowloon

22/F, Parkview Centre, 7 Lau Li Street, Tin Hau, Hong Kong

Avenida de Venceslau de Morais, No. 193-199,5 andar - I, Edf. Industrial Nam Leng, Macau

有關最新之香港及澳門客戶服務中心資料，請參閱信興服務中心網址：<http://www.shesc.com/zh>

For the latest information of Hong Kong and Macau service center, please visit <http://www.shesc.com/en>